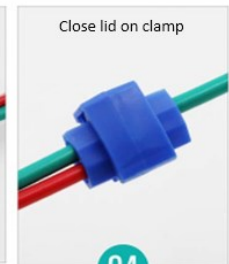
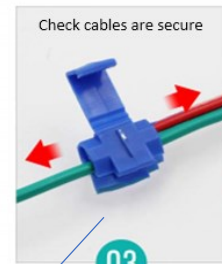
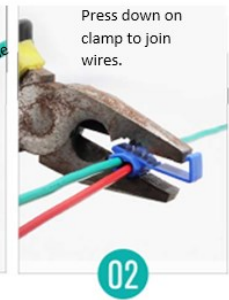
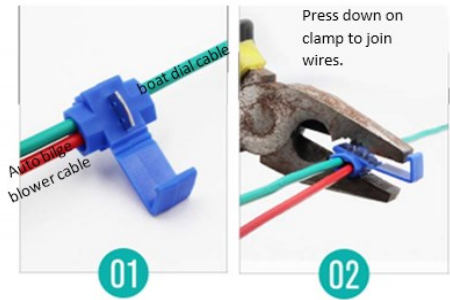


Auto Blower Manual

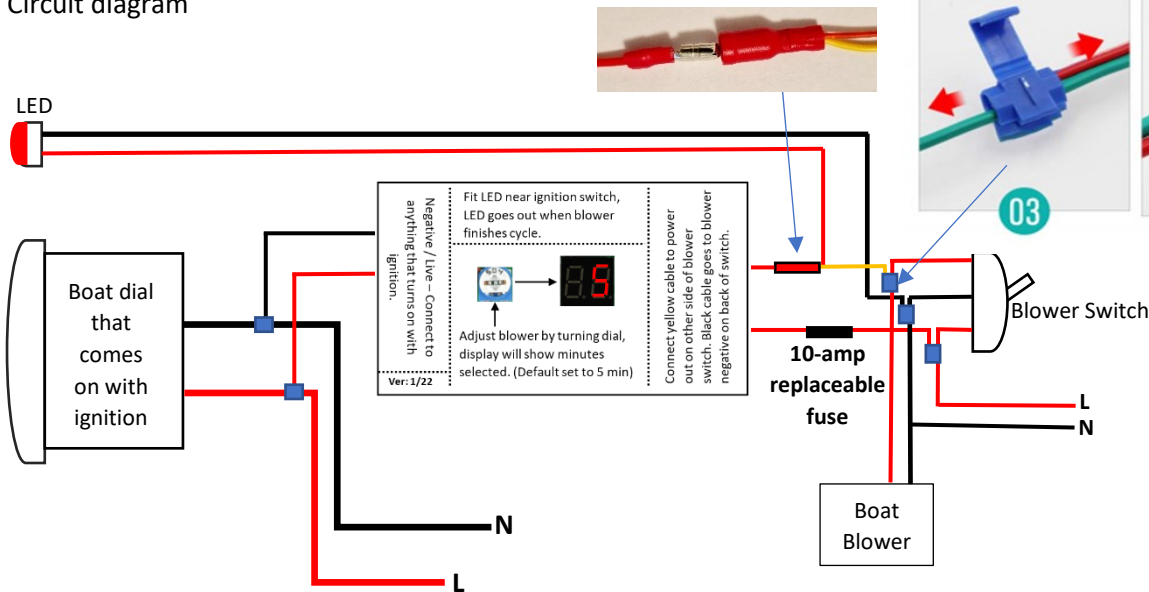
Ver 1

What's provided:
 Auto blower control box
 5 cable clamps
 LED mount and Red LED
 Drill bit for installing LED
 Screwdriver for adjusting timer
 Install manual

Connecting Auto Blower to boat cables



Circuit diagram



Steps to installing your auto blower.

1. Identify a dial that comes on when you turn the ignition key to standby.
2. Remove the panel that houses the chosen dial (Temperature, Fuel etc) and use the cable clamps to connect the live and neutral cables from the auto blower box as shown above.
3. Now drill a hole near the ignition switch to house the LED (drill bit provided), be sure to avoid hitting any cables when doing this. The LED comes with a cable connector shown above on the Live so that you can feed it through the hole.
4. Locate the blower switch and remove the panel it is housed in.
5. Feed the three cables black, red, and yellow down to the blower switch.
6. Connect the cables as shown above to the cables on the back of the blower switch using the cable clamps provided.
7. Now test the unit by turning ignition key to standby, the LED screen in the auto blower box should start counting down (default set to 5 minutes) and the LED should be lit with the blower running. Once the time runs down the LED will go out and blower will go off. You can now adjust the time by turning the dial, the round hole next to timer screen, adjust to your desired minutes recommended by boat manufacturer. (Screwdriver provided)
8. Now find a place behind the housing for the box and refit back housings.
9. The auto blower has a 10amp replaceable glass fuse shown above, should the blower not activate on ignition standby then please check the fuse.